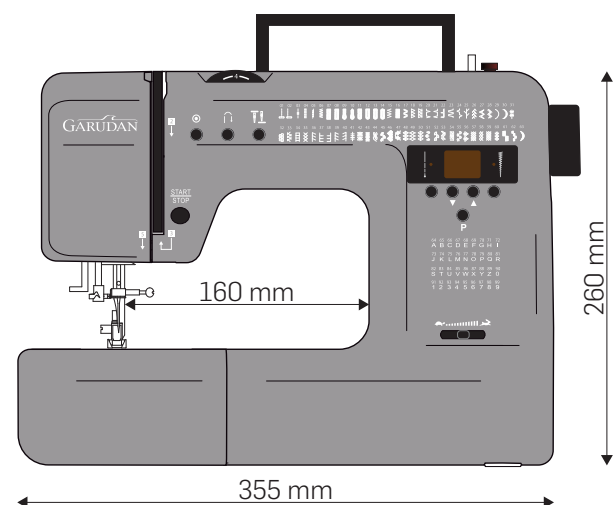


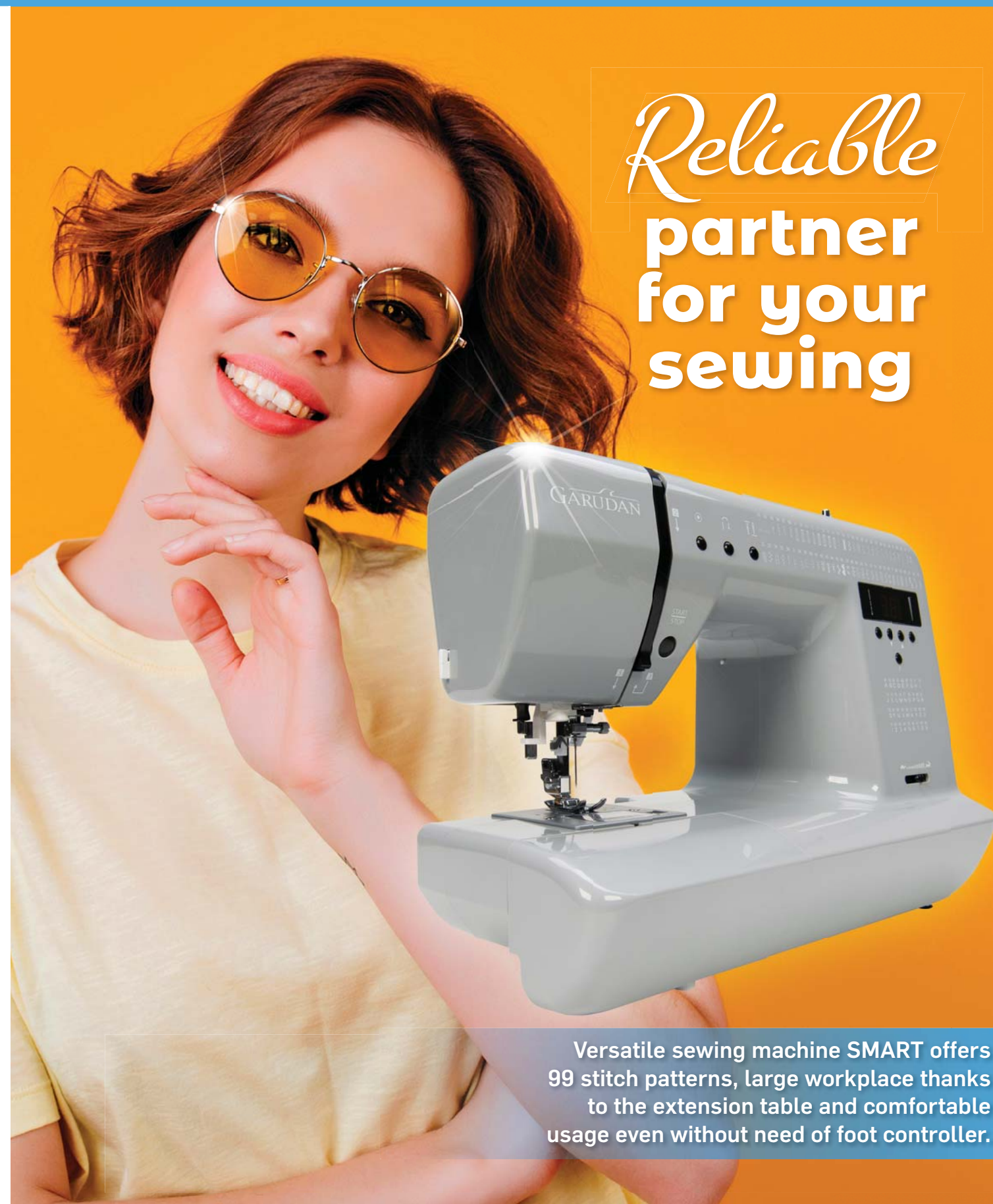
Characteristics:

- ▶ All-metal core for durability and long life
- ▶ Powerful motor for good performance
- ▶ Free arm for sewing narrow parts
- ▶ Bright LED lighting - lasts up to 20 000 hours
- ▶ Sewing with or without foot controller
- ▶ Easy-to-load top drop-in bobbin with clear cover
- ▶ Snap-on system for quick presser foot change
- ▶ Start/Stop button with needle position sensor
- ▶ Needle Up/Down - must-have for quilting and top stitching
- ▶ Thread cutter on the front cover
- ▶ Built-in needle threader for quick and easy threading
- ▶ Extra high presser foot lift
- ▶ Speed Slide Control for setting maximum speed
- ▶ Stitch width adjustment up to 7 mm
- ▶ Automatic Tie-off Button for reinforcing the ends of the seam
- ▶ 8 types of one-step automatic buttonhole
- ▶ 99 built-in stitches including alphabet
- ▶ Extension table for more convenience



Machine Type	Computerized
Built-in patterns	99
Overlock stitch	Yes
Alphabet	Yes
Memory	No
Hook Type	Rotary
Free Arm	Yes
Automatic Buttonhole	Yes
Buttonhole Stitches	8
Twin-needle	Yes
Adjustable Stitch Width	Yes
Max. Stitch Width	7.0 mm
Needle Positioning	Yes
Foot Pressure	Automatic
Snap-on Presser Feet System	Yes
Automatic Needle Threader	Yes
Drop Feed lever	No
Touch Button Stitch Selection	Yes
Walking Foot	No
Display	Yes
Start/Stop Button	Yes
Needle Up/Down	Yes
Reinforcement Button	Yes
Speed Control Slider	Yes
Automatic Thread Trimming	No
Thread Cutter	Yes
Control	Pedal/Buttons
Knee Lift	No
Extension Table	Yes
Presser Feet	5
Dust Cover	Soft
Needle Type	130/705 H
Max. Sewing Speed	650 st./min.
Power	70 W
Noise Level	19 (±0,5) dB
Light	LED
Sewing Area	410 × 230 mm*
Arm length	160 mm
Dimensions (w × h × l)	355 × 260 × 185 mm
Weight	5.5 kg

▶ Change in appearance and parameters reserved. *With ext. table.



Reliable
**partner
for your
sewing**

Versatile sewing machine SMART offers 99 stitch patterns, large workplace thanks to the extension table and comfortable usage even without need of foot controller.

GARUDAN SMART GHE-1099



01

135 mm

02

03

04

05

01
For small parts of garment use the free arm (135 × 85 mm). Large pieces sew comfortably on the extension table (230 × 410 mm).

02
Built-in needle threader saves your time and eyes from straining. Threading is quick and easy.

03
Top drop-in bobbin is easy to thread and easy to see. You will not run out of thread in the middle of a seam.

04
Use slide button to set maximum sewing speed. Feel free to sew with or without foot controller, using only buttons.

05
Choose from a variety of 99 stitches for basic sewing, decorative sewing, and more. Including alphabet and 8 types of one-step buttonhole.

START
STOP

01

64 65 66 67 68 69 70 71 72
A B C D E F G H I
73 74 75 76 77 78 79 80 81
J K L M N O P Q R
82 83 84 85 86 87 88 89 90
S T U V W X Y Z 0
91 92 93 94 95 96 97 98 99
1 2 3 4 5 6 7 8 9